



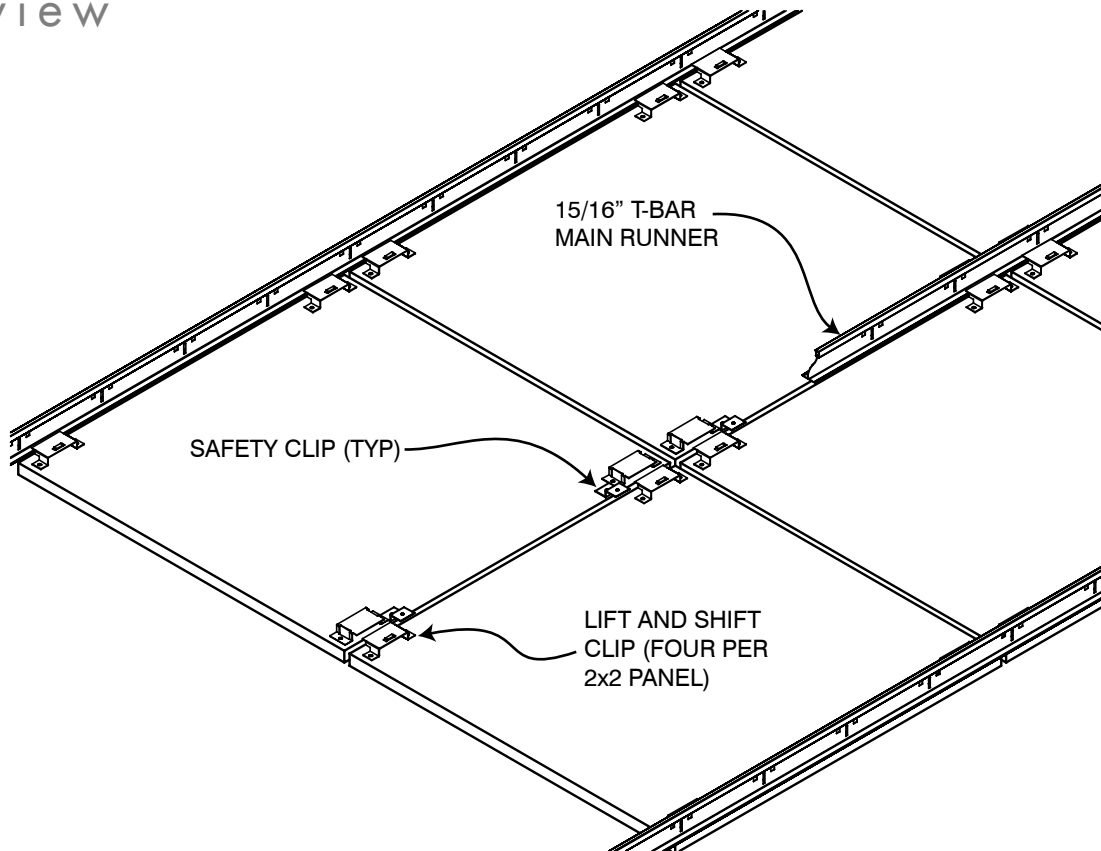
4200 Data Sheet



SERIES: 4000 WOOD TILES

STYLE: 4200 LIFT & SHIFT™ TILE

Overview



The **4200 Lift & Shift™ Tile** wood ceiling offers a floating tiled appearance with a concealed suspension grid. The Lift & Shift™ Tile is suspended from concealed 15/16" standard black T-Bar grid. Reveals between panels are typically 3/8" wide, permitting lift, shift and removal. Lift & Shift™ is primarily for 2' x 2' tiles.

Lift & Shift™ clips make installation more productive when measured against conventional grooved edged profiles. Rooms rarely provide a perfect 2' x 2' lay-out: field cuts and clip attachment is less complex than field-grooving panels.





4200 Data Sheet



SERIES: 4000 WOOD TILES

STYLE: 4200 LIFT & SHIFT™ TILE

Product Data

Application

The Lift & Shift Tile provides a floating tiled look with concealed suspension using real wood veneers on fire rated cores. This is an accessible system, with lift, shift and remove accessibility. In seismic zones it requires a safety-wire tie-off or lock-down screws. Tiles may be perforated (see series 5000 Perforated Wood Tiles).

Performance

Acclimatization

Lift & Shift Tiles must be cared for in a controlled interior environment (RH 25%-55% max; temp. 60°-80°) and installed only after reaching equilibrium moisture content. Should the building fall outside these limits consult 9Wood, Inc. for our 3 Tests/3 Tracks Acclimatization Advisory.

Acoustics

The Lift & Shift Tile is considered acoustically reflective.

Fire Rating

Individual members and components can be treated with Class I (A) Fire Retardant chemicals (solid wood use FR coatings, veneered particleboard use FR formulas). Particular species or styles have not been tested.

LEED

Lift & Shift Tiles may qualify toward MR-3, MR-4.1/4.2, MR-5.1/5.2, MR-6, MR-7, IEQ-4.2 or IEQ-4.4. As all products are custom-fabricated, LEED credit opportunities are project by project. Please contact 9Wood, Inc. for specifics.

MEP

The Lift & Shift Tile permits MEP penetrations in the ceiling's surface. Cut panels may require supplemental reinforcement. Fixtures and diff users must be independently supported.

Seismic

Lift & Shift™ Tiles may require safety wire tie-off s or screw locks to T-Bar. Please consult local code or a licensed engineer for any additional requirements.

Species & Finishes

9Wood can offer both domestic and imported species for the Lift & Shift Tile. Clear, satin sheen finish is standard; custom stain matches are available.

Suspension

Lift & Shift Tiles are suspended from 15/16" heavy duty T-Bar main runners. Main runners are typically 2' on center.

System Weight

Lift & Shift Tiles typically weigh 3 pounds per square foot or less.



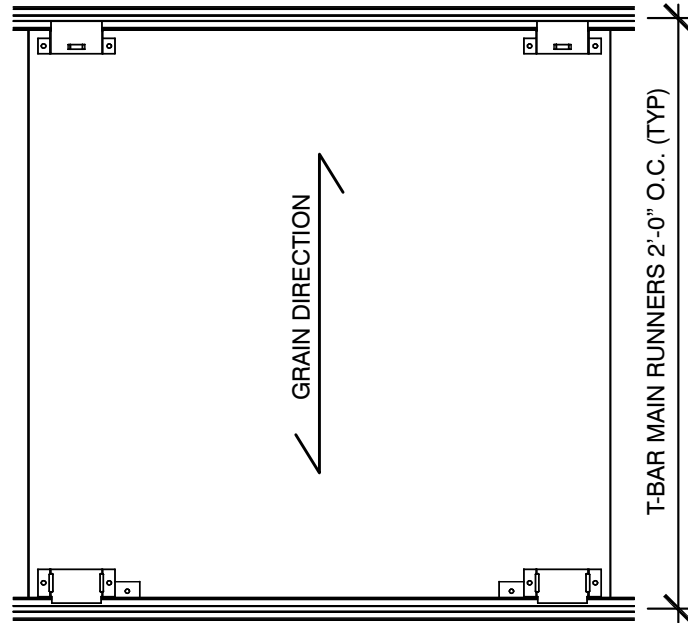
4200 Data Sheet



SERIES: 4000 WOOD TILES

STYLE: 4200 LIFT & SHIFT™ TILE

Typical Specifications



SKU Table

Tile Width	Tile Length (Parallel to Grain Direction)						
	24"	36"	48"	60"	72"	84"	96"
24"	4224-24	4224-36	4224-48	4224-60	4224-72	4224-84	4224-96
36"	4236-24	4236-36	4236-48	4236-60	4236-72	4236-84	4236-96
48"	4248-24	4248-36	4248-48	4248-60	4248-72	4248-84	4248-96

* Tiles greater than 36" are likely to require additional stiffener bars.

** Tiles greater than 24" in width require 1-1/2" grid.

*** Please see 9wood.com for information on appropriate species selections.



4200 Data Sheet



SERIES: 4000 WOOD TILES

STYLE: 4200 LIFT & SHIFT™ TILE

Perimeter Conditions and Suspension

