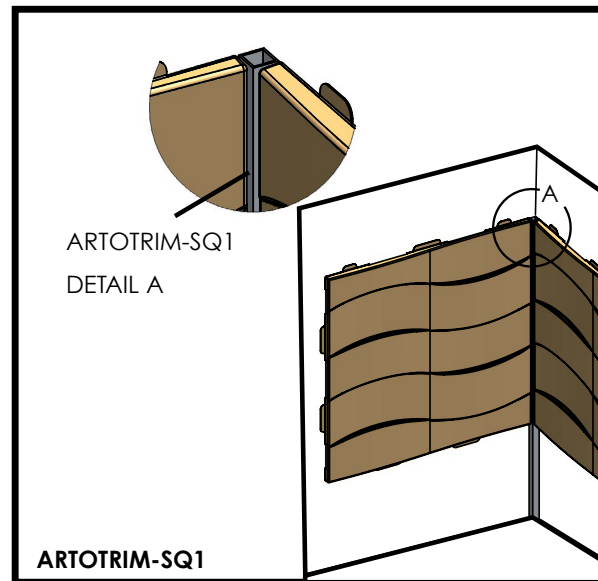
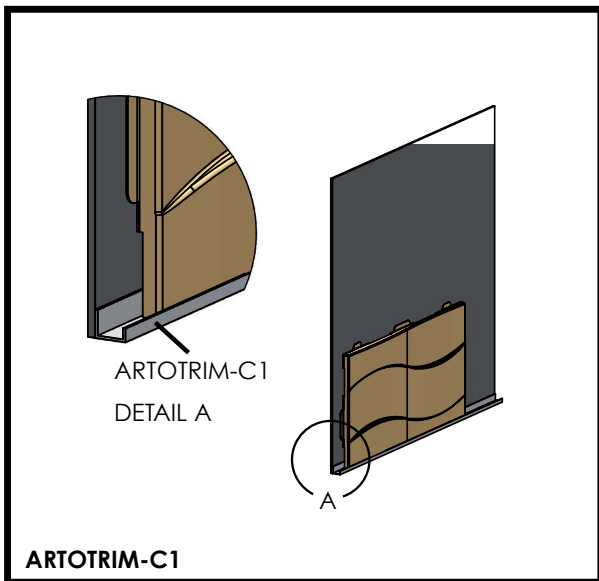
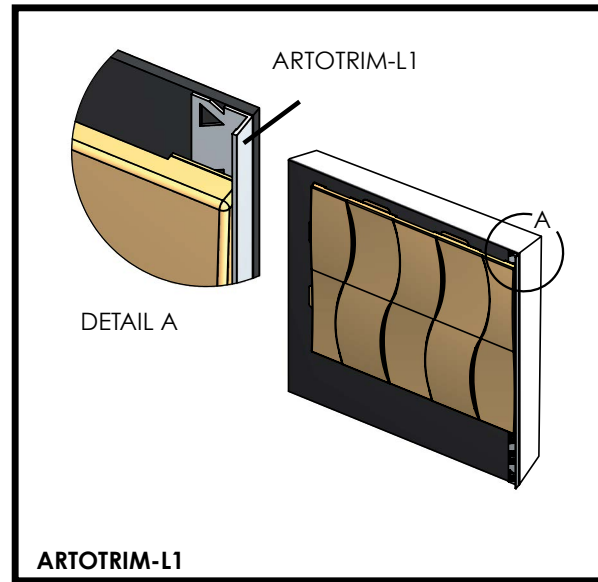
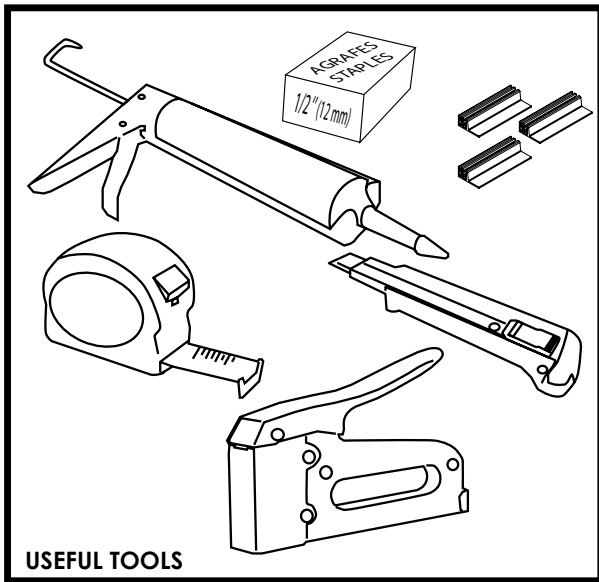


A modern office interior featuring a large wall covered in dark brown, 3D acoustic wall panels. The panels are arranged in a staggered, brick-like pattern. In the foreground, there is a white armchair and a small round glass table with a telephone and some magazines. To the left, a wooden reception desk is visible. The ceiling has recessed lighting.

CLICK

INSTALLATION GUIDELINES

eomac 3D acoustic wall and ceiling tiles by ARTOFIX



INSTALLATION GUIDELINES FOR DRYWALL / PLASTERBOARD APPLICATIONS

Before starting the installation of CLICK tiles, refer to the configuration diagram provided with the order. The key to install is to ensure the first tile alignment is perfectly level. To achieve the best level plane possible, check every 3 or 4 tiles as you install them in first vertical (columns) and horizontal (row) alignments.

Work can only begin once the construction has reached a stage ready to accept final finishes:

- Wet works, such as painting concrete and drywall/plasterboard, cured/completed. Areas cleaned with minimum airborne dust.
- Temperature and humidity conditions have reached to the standard occupancy conditions.
- Ceiling grid installed.
- All electrical works completed.



Add adhesive caulking on the rear of the ARTOTRIM-L1 trim and affix to the wall.



If desired, fasten the trim to the wall by using screws or 12 mm (1/2") staples.



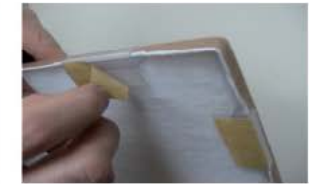
Draw horizontal reference lines on wall or use a laser to level the row of tiles to be installed. Repeat this step for each new row.



Cut the tabs off the identified files on your plan that will go along the trims, by using a utility knife or scissors.



Install ARTOCLIPS-G1 on the side of where the tabs have been cut. The clips facilitate the installation of tiles where the stapler cannot be used.



Remove the protective paper on the back of ARTOCLIPS-G1. The tile is now ready to be installed.



For the tiles that will fit onto trim ARTOTRIM-L1, use a transparent silicone caulking to fasten them into the trim.



Put the first tile on the ARTOTRIM-L1, staple all the visible tabs on the tile. Make sure the tiles are aligned.



Continue the installation and verify the tile alignment using the reference line or laser for a symmetrical finish.



If the tiles need to be cut to the bottom edge of the wall, cut the excess off. Use the ARTOTRIM-C1 and an adhesive caulking to finish.



Firmly press the ARTOTRIM-C1 against the wall and add screws to fasten the trim to the wall.



Measure the tile size requirement to insert in the ARTOTRIM-C1.



Cut the tile to the required size using a utility knife.



Insert the tile bottom in the ARTOTRIM-C1 and strips in the upper tiles.



Repeat the process as necessary.

The methods described in this document are provided as guidance only. Relevant national building and installation codes should be strictly followed and take precedence. Eomac is not responsible for any damage or deficiency caused by improper installation.