



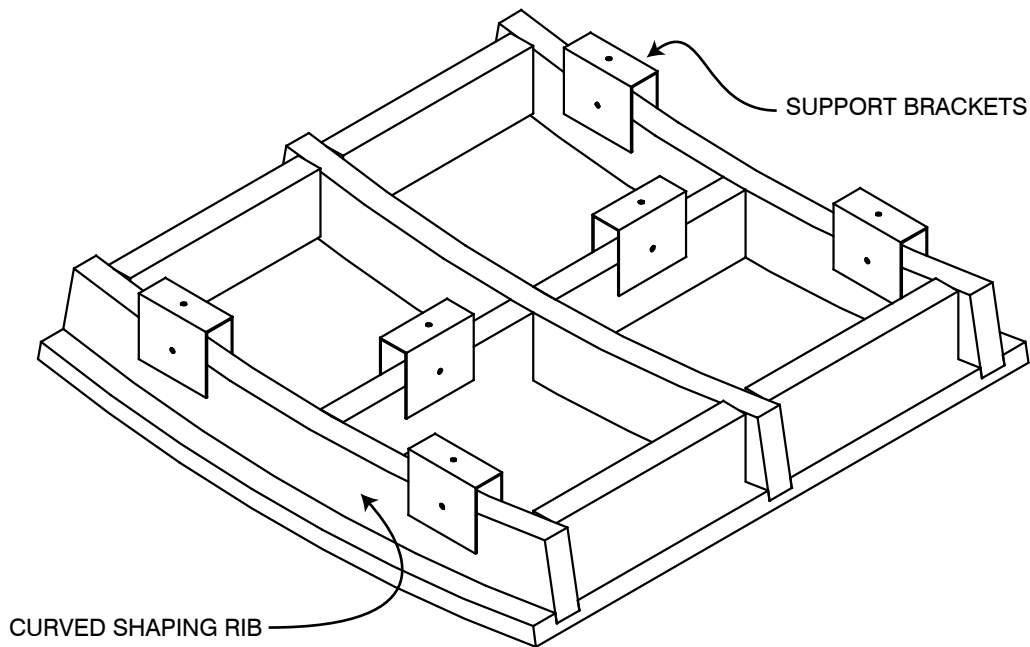
## 8400 Data Sheet



SERIES: 8000 WOOD WAVES

STYLE: 8400 TILE WAVE

## Overview



The **8400 Wood Wave** wood ceiling offers radiused wood tile designs for vaulted ceilings. Panels are factory curved. Several suspension methods can be used, including Torsion Spring downward access and Lift & Lock™ suspension. 1/4" or 3/8" reveals are common, concealing the suspension grid.

**Attachment** for the Wood Wave is via a support brackets fastened to curved shaping ribs.



## 8400 Data Sheet



SERIES: 8000 WOOD WAVES

STYLE: 8400 TILE WAVE

# Product Data

## Application

The Tile Wave provides a concave or convex floating tiled look with concealed suspension using real wood veneers on fire rated cores. This can be an accessible system with pull down, spring release access, or fixed in place if accessibility is not required. In this case access panels can be strategically located in the ceiling field. Radiused tiles may be perforated (see style 8500 Perforated Wood Waves).

## Performance

### Acclimatization

Wood Tile Waves must be cared for in a controlled interior environment (RH 25%-55% max; temp. 60°-80°) and installed only after reaching equilibrium moisture content. Should the building fall outside these limits consult 9Wood, Inc. for our 3 Tests/3 Tracks Acclimatization Advisory.

### Acoustics

The Wood Tile Wave is considered acoustically reflective.

### Fire Rating

Individual members and components can be treated with Class I (A) Fire Retardant chemicals (solid wood use FR coatings, veneered particleboard use FR formulas). Particular species or styles have not been tested.

### LEED

Wood Tile Waves may qualify toward MR-3, MR-4.1/4.2, MR-5.1/5.2, MR-6, MR-7, IEQ-4.2 or IEQ-4.4. As all products are custom-fabricated, LEED credit opportunities are project by project. Please contact 9Wood, Inc. for specifics.

### MEP

The Wood Tile Wave permits MEP penetrations in the ceiling's surface. Cut panels may require supplemental reinforcement. Fixtures and diff users must be independently supported.

### Seismic

Wood Waves can be engineered to meet seismic requirements. Please consult local code or a licensed engineer for any additional requirements.

### Species & Finishes

9Wood can offer both domestic and imported species for the Wood Tile Wave. Clear, satin sheen finish is standard; custom stain matches are available.

### Suspension

Wood Tile Waves are directly attached to curved 15/16" T-Bar main runners or radiused 1" x 1" tubing. T-Bar or tubing is typically 2' on center.

### System Weight

Wood Tile Waves typically weigh 4 pounds per square foot or less.



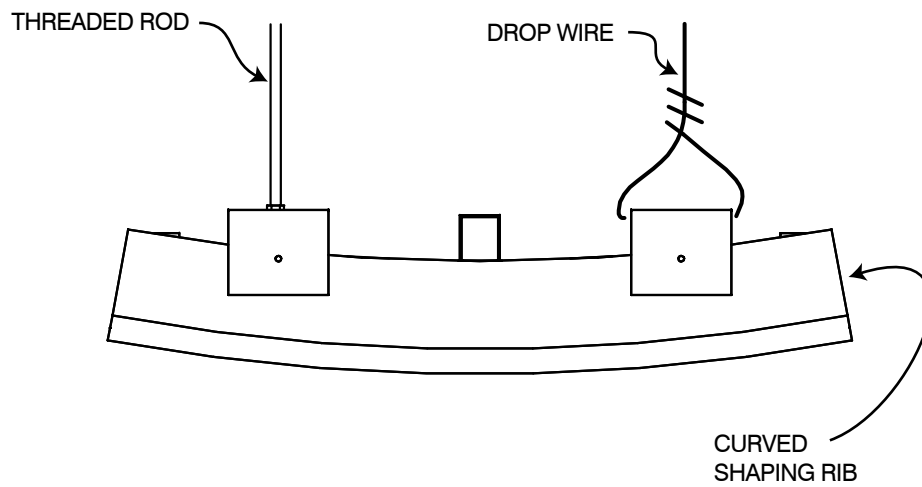
# 8400 Data Sheet



SERIES: 8000 WOOD WAVES

STYLE: 8400 TILE WAVE

## Typical Specifications



### SKU Table

Tile Width	Tile Length (Parallel to Grain Direction)						
	24"	36"	48"	60"	72"	84"	96"
24"	84-4124-24	84-4124-36	84-4124-48	84-4124-60	84-4124-72	84-4124-84	84-4124-96
36"	84-4136-24	84-4136-36	84-4136-48	84-4136-60	84-4136-72	84-4136-84	84-4136-96
48"	84-4148-24	84-4148-36	84-4148-48	84-4148-60	84-4148-72	84-4148-84	84-4148-96

\* Tiles greater than 36" are likely to require additional stiffener bars.

\*\* Please see 9wood.com for information on appropriate species selections.



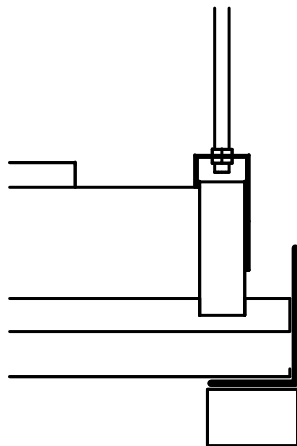
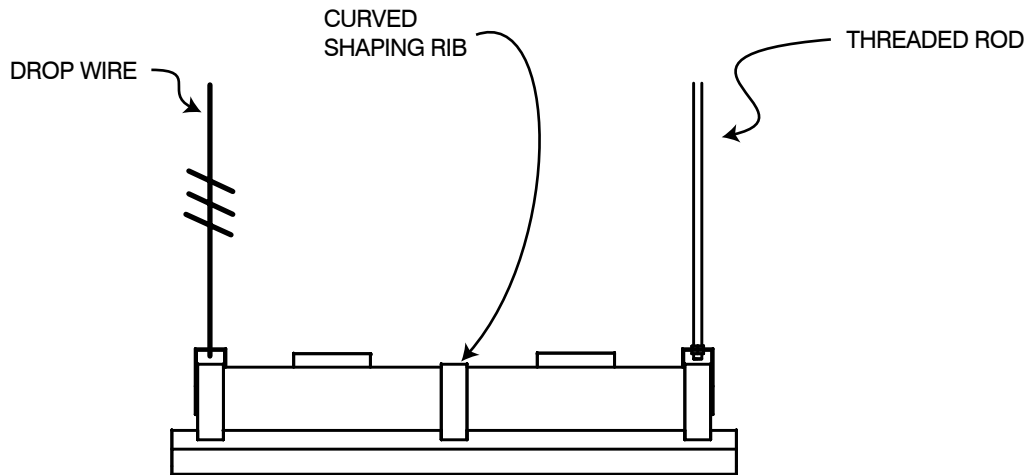
# 8400 Data Sheet



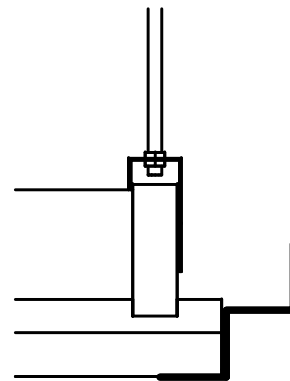
SERIES: 8000 WOOD WAVES

STYLE: 8400 TILE WAVE

## Perimeter Conditions and Suspension



WALL ANGLE



SHADOW MOLDING