



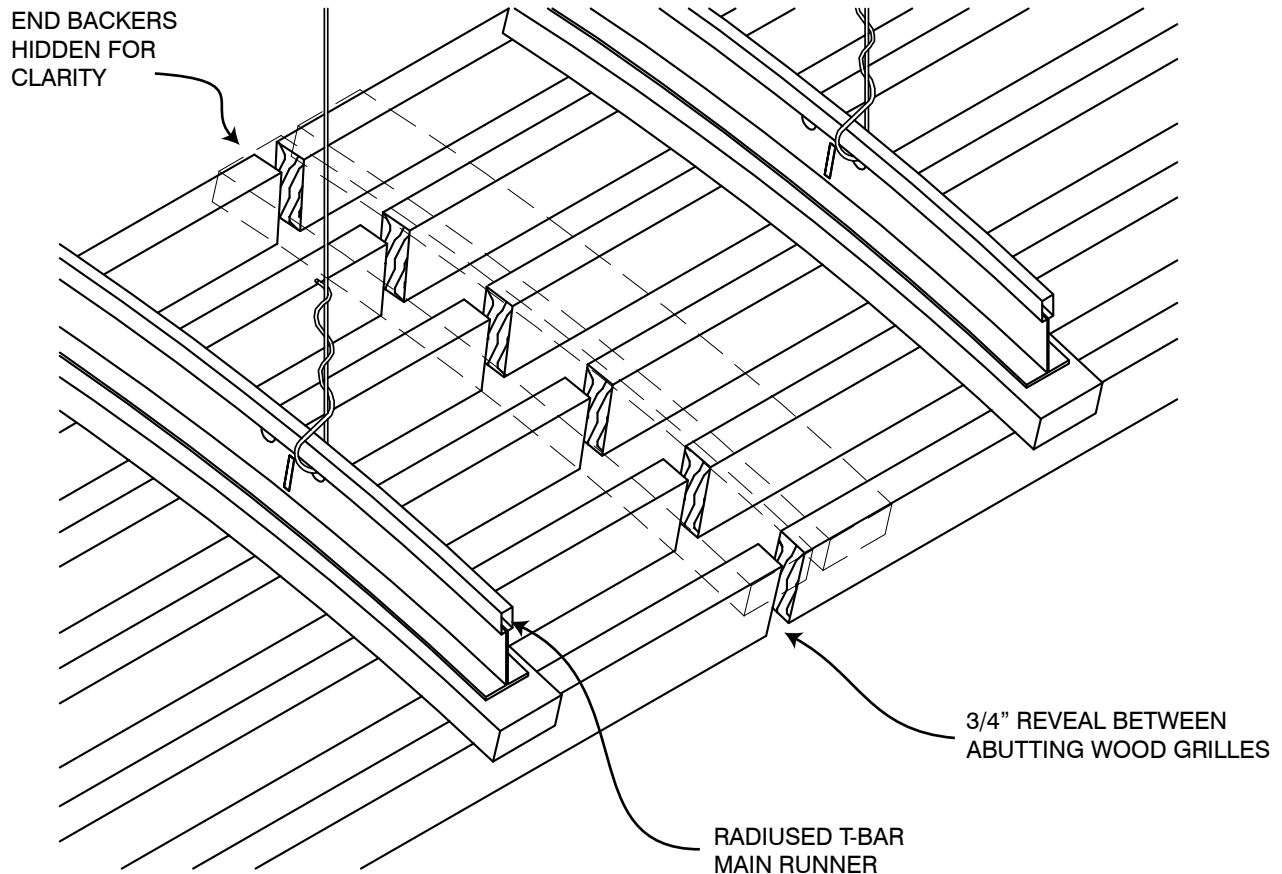
8100 Data Sheet



SERIES: 8000 WOOD WAVES

STYLE: 8100 GRILLE WAVE

Overview



The **8100 Grille Wave** wood ceiling offers a flexible wood grille design for a vaulted or undulating ceiling. The standard panel widths are 12" or 24". Standard panel lengths are 4', 6', 8', or 10' (nominal).

Attachment for the Grille Wave is via screws fastened directly through the flexible backer. This provides basic accessibility for each panel.



8100 Data Sheet



SERIES: 8000 WOOD WAVES

STYLE: 8100 GRILLE WAVE

Product Data

Application

The Grille Wave uses a pre-assembled flexible panel. A curved suspension system is first installed (curved T-Bar or radiused tubing). Then the panels are flexed and married to the radiused suspension system using screws. This product can be installed throughout the country and is the preferred design in areas requiring seismic compliance. Full panel access is available by means of removing attachment screws hidden in reveals. Repetitive removal requires threaded 9Wood T-Bolt™ attachment as opposed to screws.

Performance

Acclimatization

Wood Grille Waves must be cared for in a controlled interior environment (RH 25%-55% max; temp. 60°-80°) and installed only after reaching equilibrium moisture content. Should the building fall outside these limits consult 9Wood, Inc. for our 3 Tests/3 Tracks Acclimatization Advisory.

Acoustics

The Wood Grille Wave can enhance acoustics via soundabsorbing material placed over open reveals within the T-Bar grid. Insulation is typically provided locally.

Fire Rating

Individual members and components can be treated with Class I (A) Fire Retardant chemicals (solid wood use FR coatings, veneered particleboard use FR formulas). Particular species or styles have not been tested.

LEED

Wood Grille Waves may qualify toward MR-3, MR-4.1/4.2, MR-5.1/5.2, MR-6, MR-7, IEQ-4.2 or IEQ-4.4. As all products are custom-fabricated, LEED credit opportunities are project by project. Please contact 9Wood, Inc. for specifics.

MEP

The Wood Grille Wave permits MEP penetrations in the ceiling's surface. Cut panels may require supplemental reinforcement. Fixtures and diff users must be independently supported.

Seismic

Flexible crosspiece backers provide seismic code compliance by means of mechanical direct screw attachment to T-Bar via the flexible cross-piece backer. Please consult local code or a licensed engineer for any additional requirements.

Species & Finishes

9Wood can offer both domestic and imported species for the Wood Grille Wave. Clear, satin sheen finish is standard; custom stain matches are available.

Suspension

Wood Grille Waves are directly attached to curved 15/16" T-Bar main runners or radiused 1" x 1" tubing. T-Bar or tubing is typically 2' on center.

System Weight

Wood Grille Waves typically weigh 2-4 pounds per square foot, depending on members per linear foot and species.



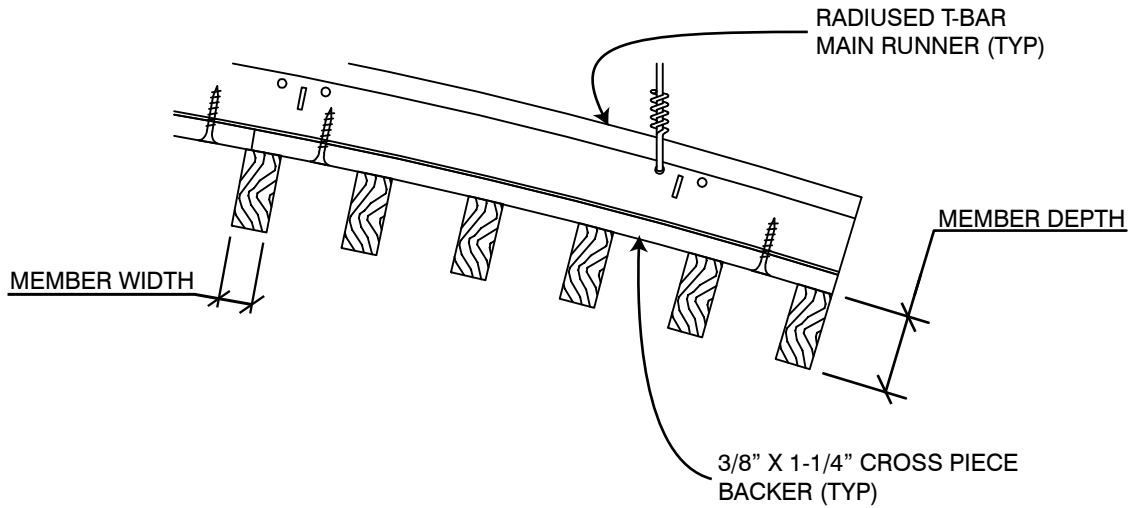
8100 Data Sheet



SERIES: 8000 WOOD WAVES

STYLE: 8100 GRILLE WAVE

Typical Specifications



SKU Table

Width (Softwood)	Width (Hardwood or Veneer)	Depth	Grille Members per Linear Foot								
			2	3	4	5	6	7	8	9	10
5/8"	3/4"	1 3/8"	81-1112-2	81-1112-3	81-1112-4	81-1112-5	81-1112-6	81-1112-7	81-1112-8	81-1112-9	81-1112-10
5/8"	3/4"	2 1/4"	81-1113-2	81-1113-3	81-1113-4	81-1113-5	81-1113-6	81-1113-7	81-1113-8	81-1113-9	81-1113-10
5/8"	3/4"	3 1/4"	81-1114-2	81-1114-3	81-1114-4	81-1114-5	81-1114-6	81-1114-7	81-1114-8	81-1114-9	81-1114-10
1 3/8"	1 "	1 3/8"	81-1122-2	81-1122-3	81-1122-4	81-1122-5	81-1122-6				
1 3/8"	1 "	2 1/4"	81-1123-2	81-1123-3	81-1123-4	81-1123-5	81-1123-6				
1 3/8"	1 "	3 1/4"	81-1124-2	81-1124-3	81-1124-4	81-1124-5	81-1124-6				
1 3/8"	1 "	5 1/4"	81-1126-2	81-1126-3	81-1126-4	81-1126-5	81-1126-6				

* Other width, depth and M/LF combinations available. Please inquire.
 ** Please see 9wood.com for information on appropriate species selections.
 *** Member dimensions and spacing may limit minimum possible radius.



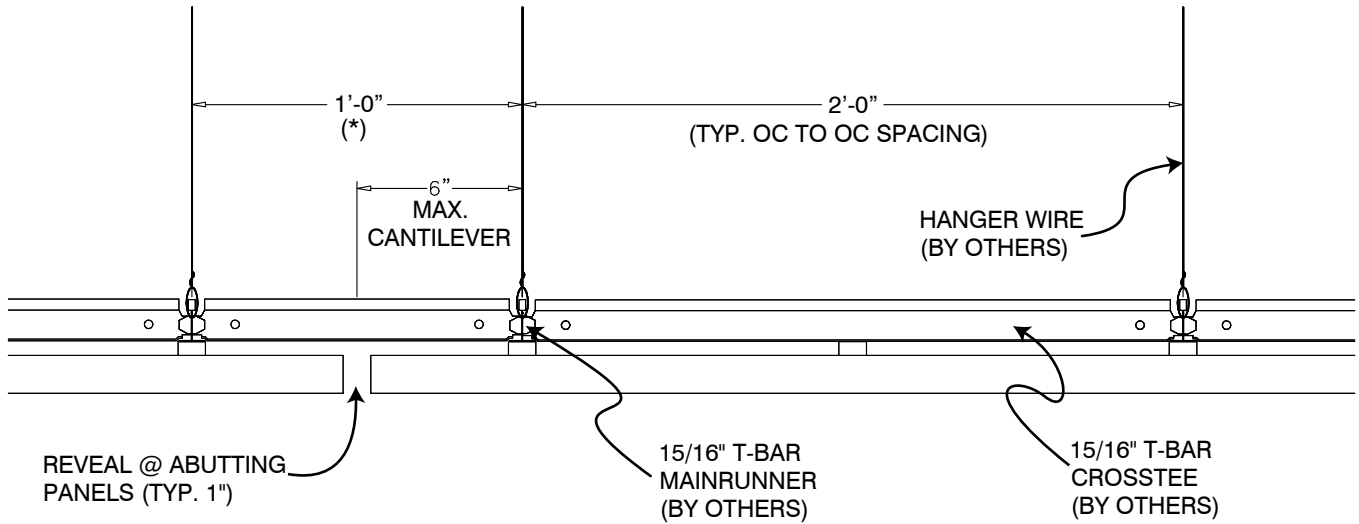
8100 Data Sheet



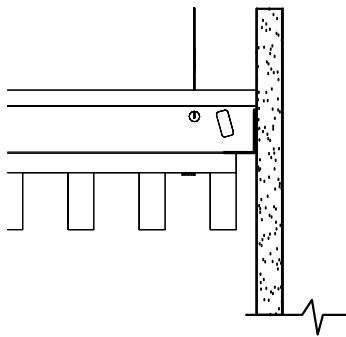
SERIES: 8000 WOOD WAVES

STYLE: 8100 GRILLE WAVE

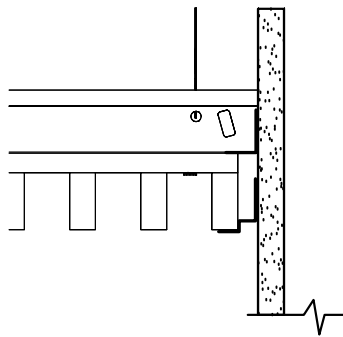
Perimeter Conditions and Suspension



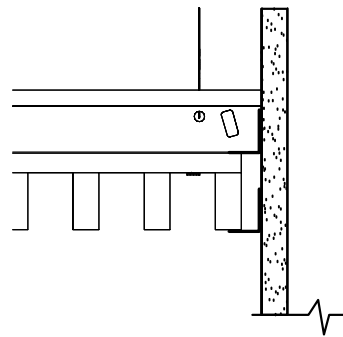
(*NOTE: A CENTER REVEAL TYPICALLY REQUIRES A CUSTOM OC SPACING IN THE SUSPENSION SYSTEM.



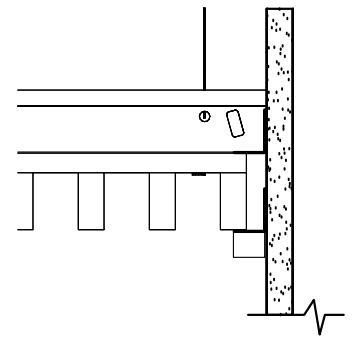
FLOATING:
OPEN REVEAL



METAL TRIM:
CONT. SHADOW STYLE
WALL ANGLE



METAL TRIM:
CONT. WALL ANGLE



WOOD TRIM:
CONT. WALL ANGLE
W/WOOD TRIM